

Sport Bar - Mounting kit

Installation manual

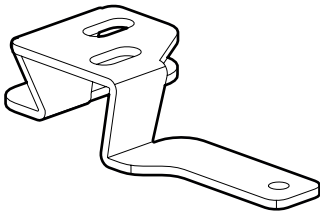


DOWNLOAD PDF



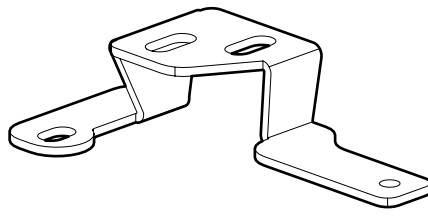
Parts

A



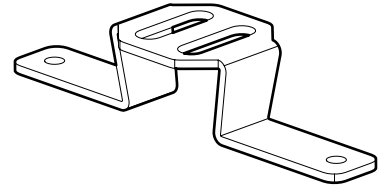
x 1

B



x 1

C

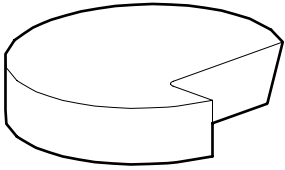


x 2



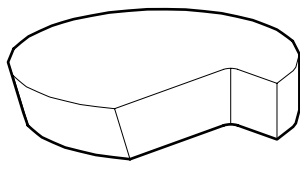
Kit

D



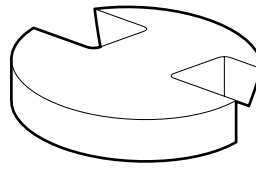
x 1

E



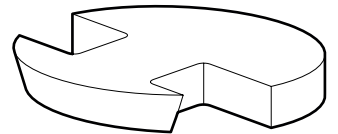
x 1

F



x 1

G

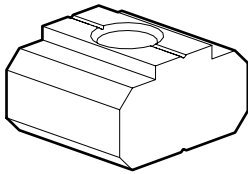


x 1



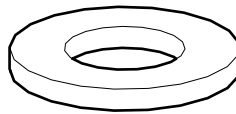
Kit

H



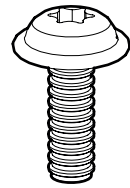
x 6

I



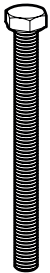
x 2

J



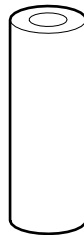
x 6

K



x 2

L



x 2

M

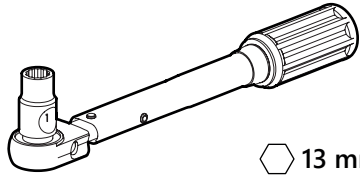


x 2



Tools and materials needed

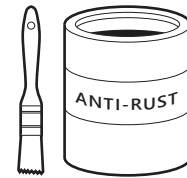
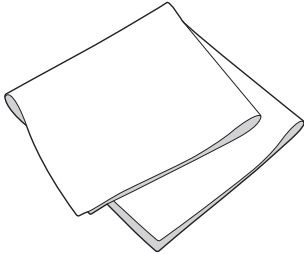
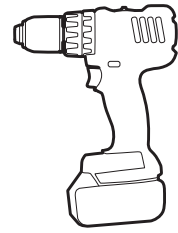
1 - 25 Nm



13 mm
TX30



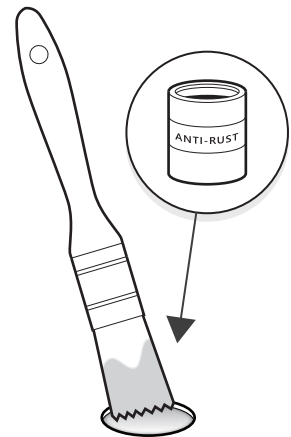
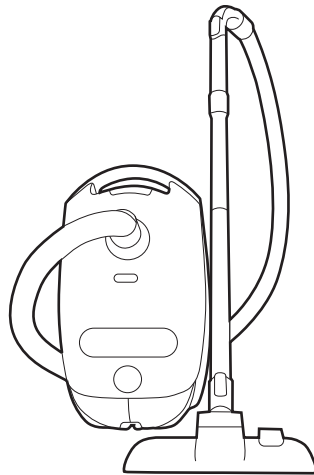
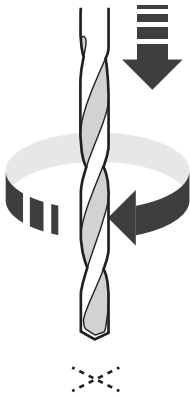
Ø 10 mm



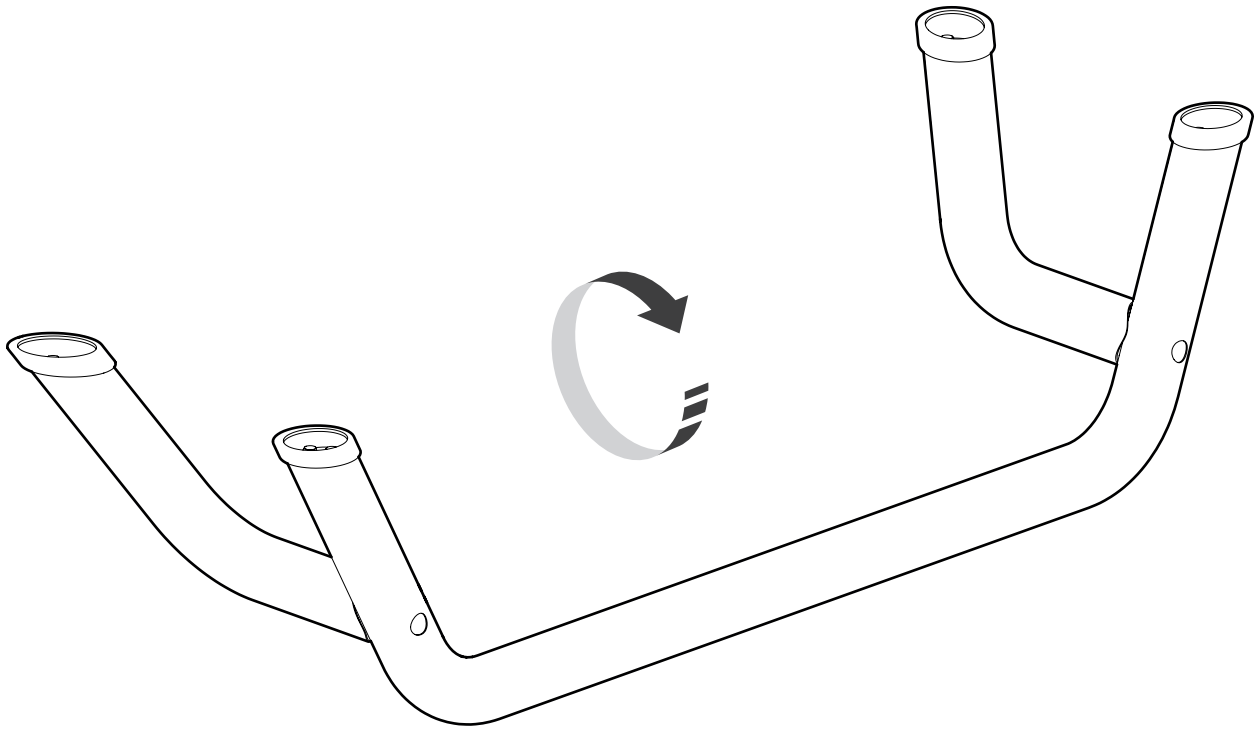
Rust protection
Rostschutzmittel
Anti-rouille
Anti roest

1

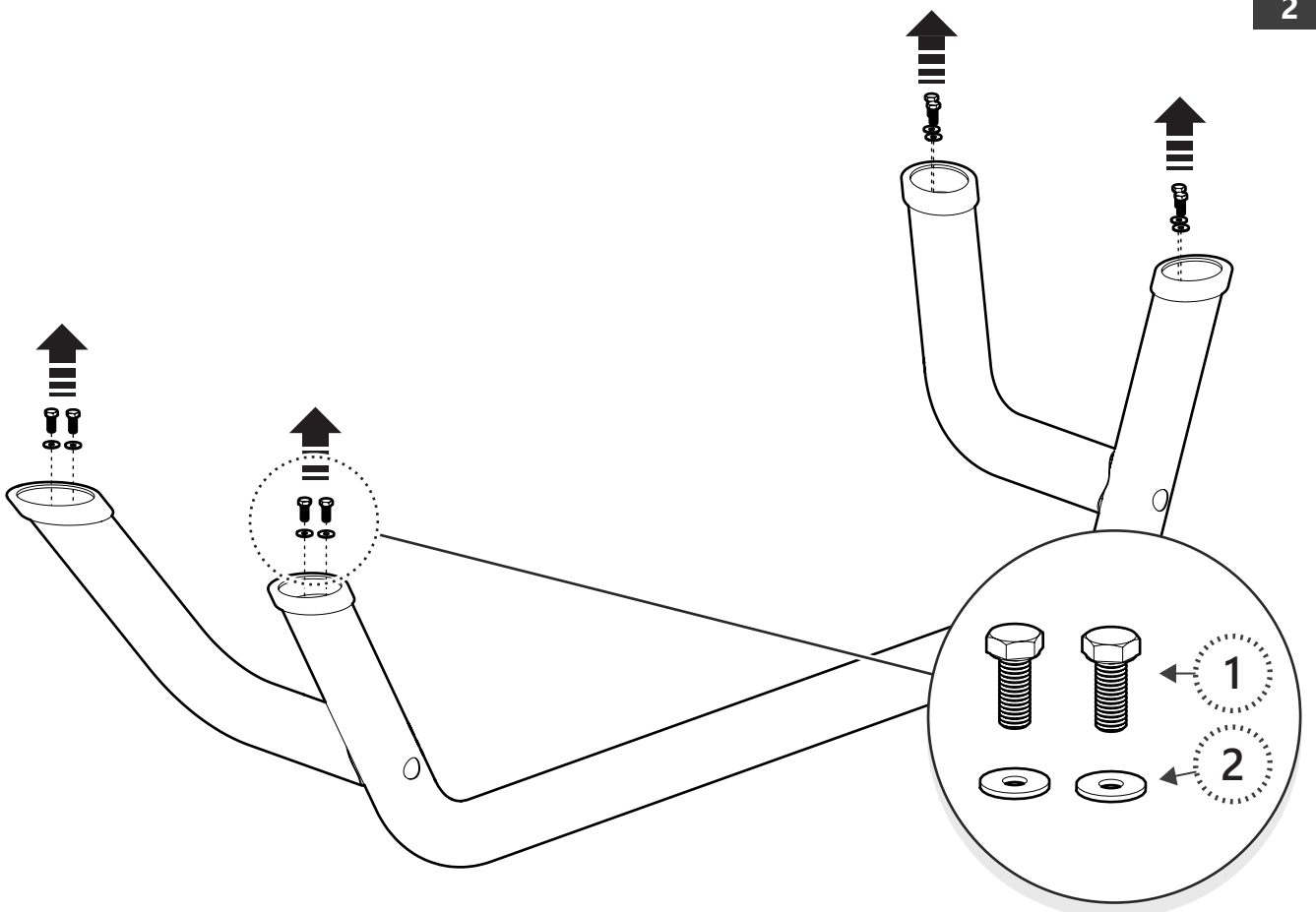
Applying rust protection

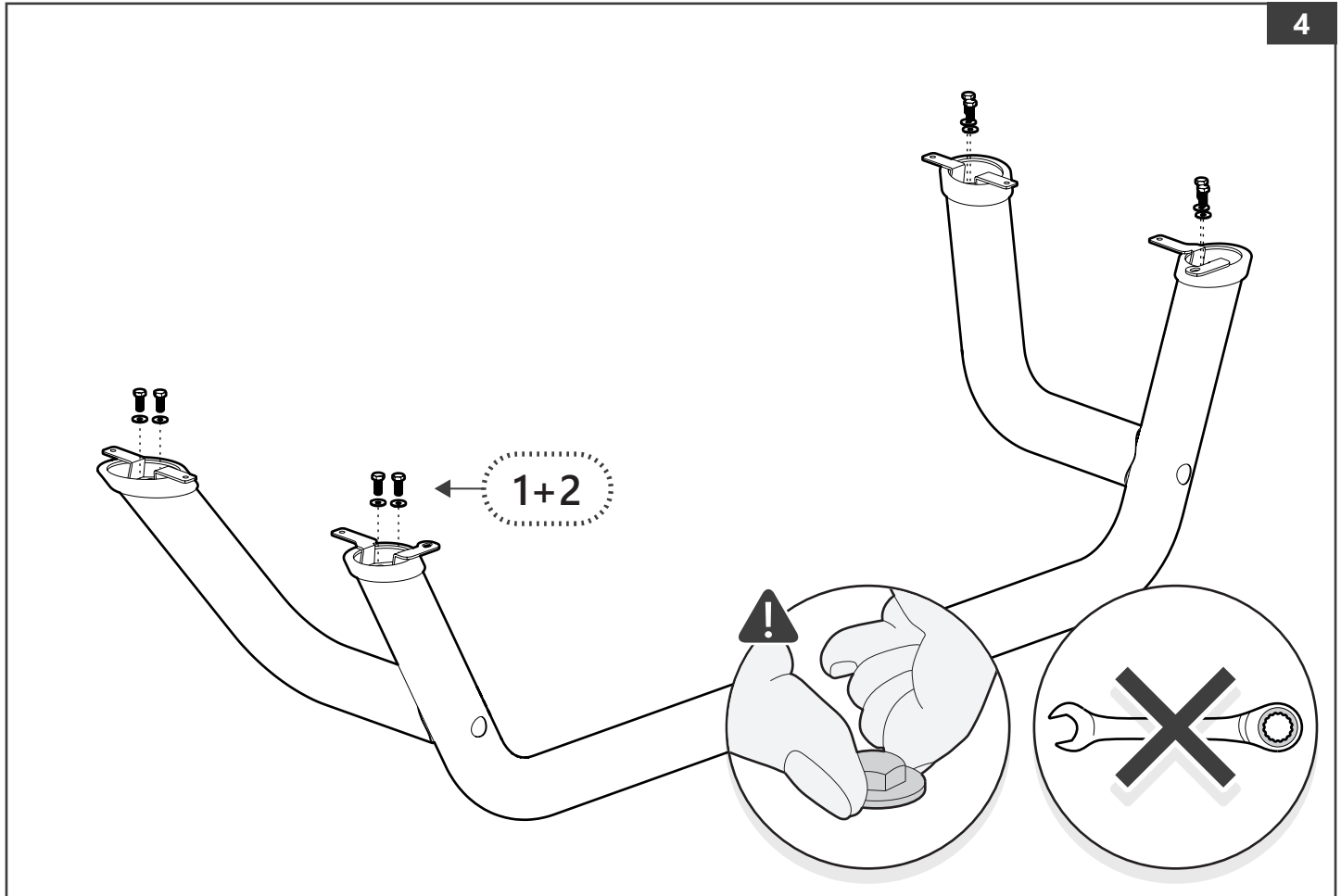
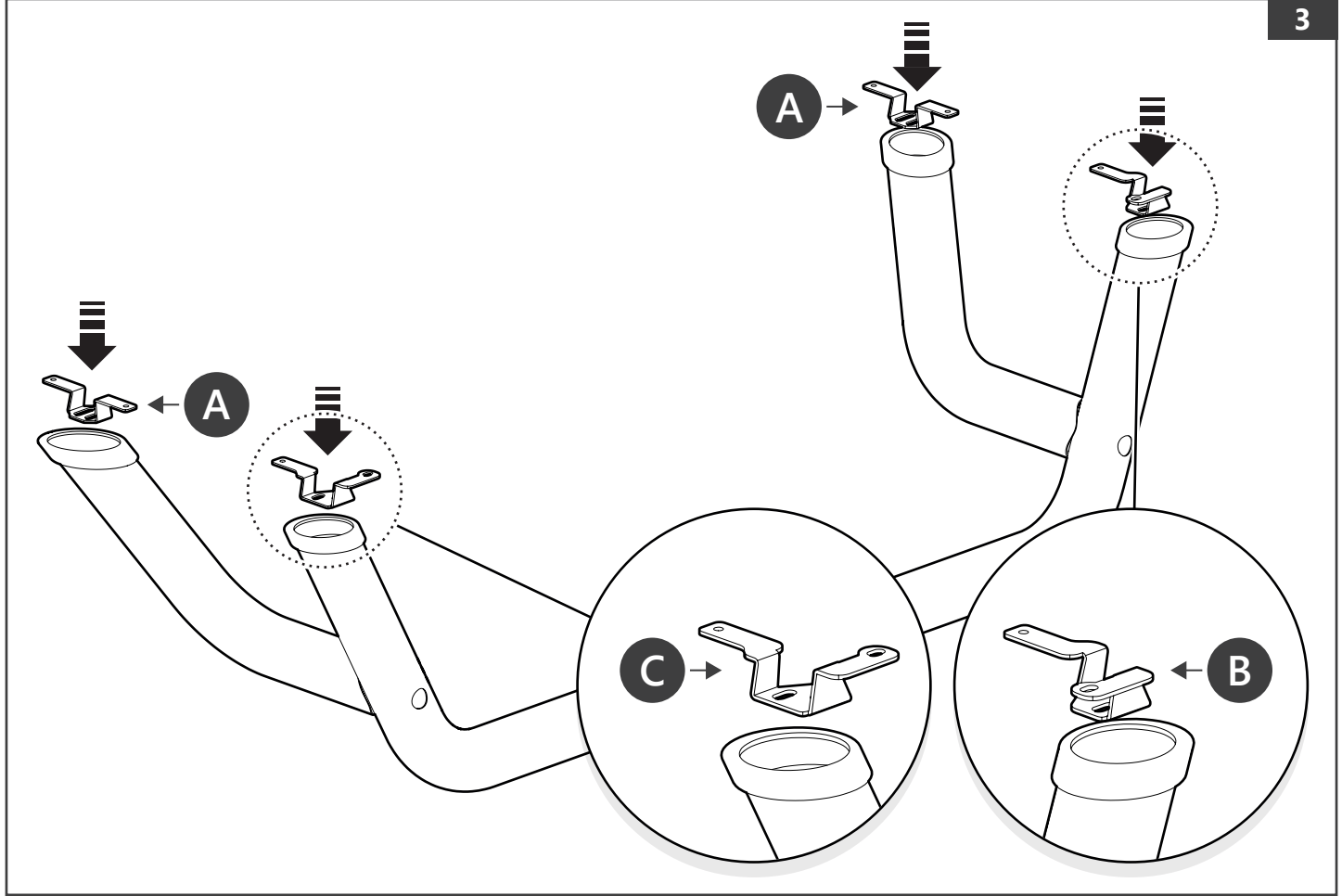


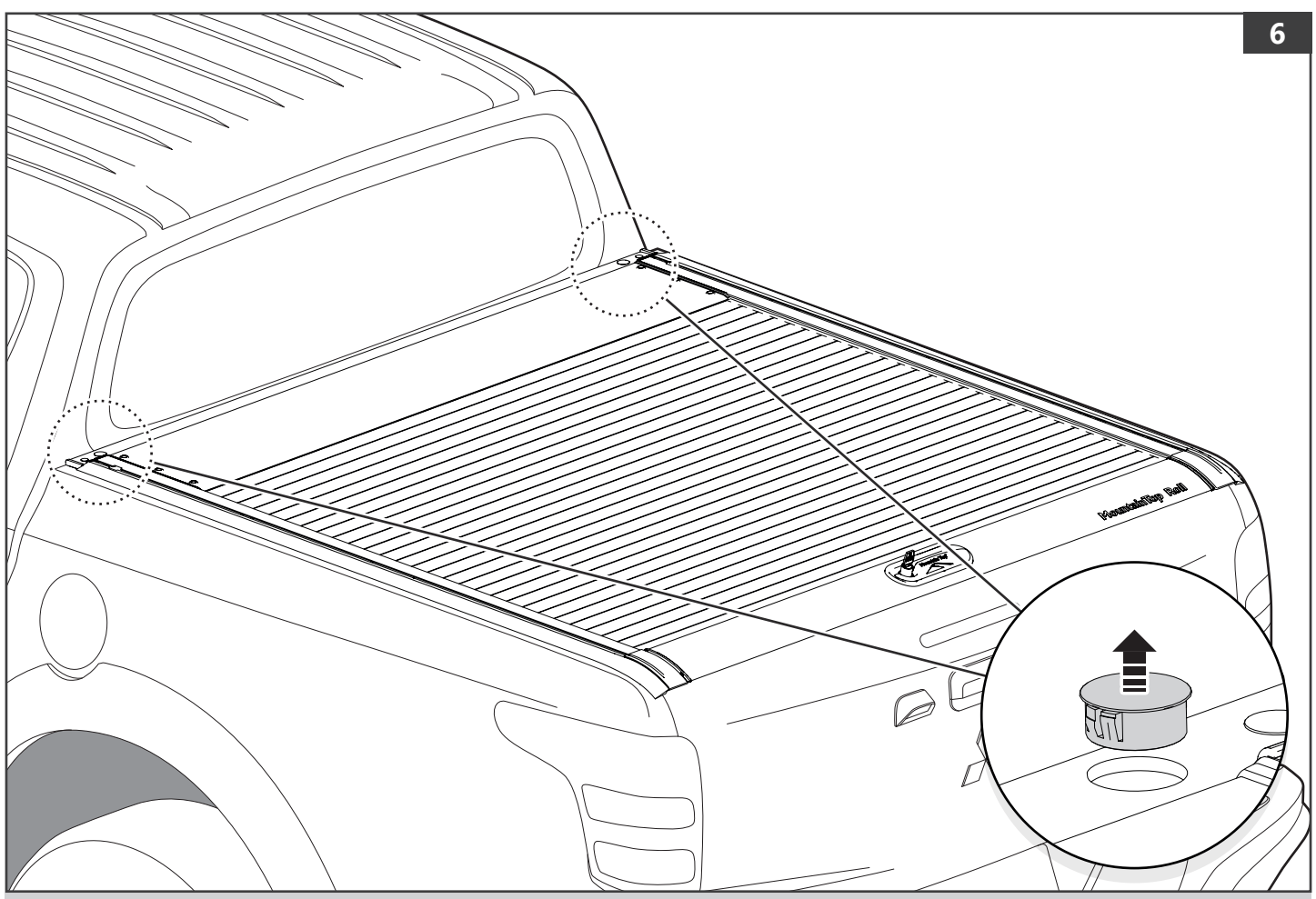
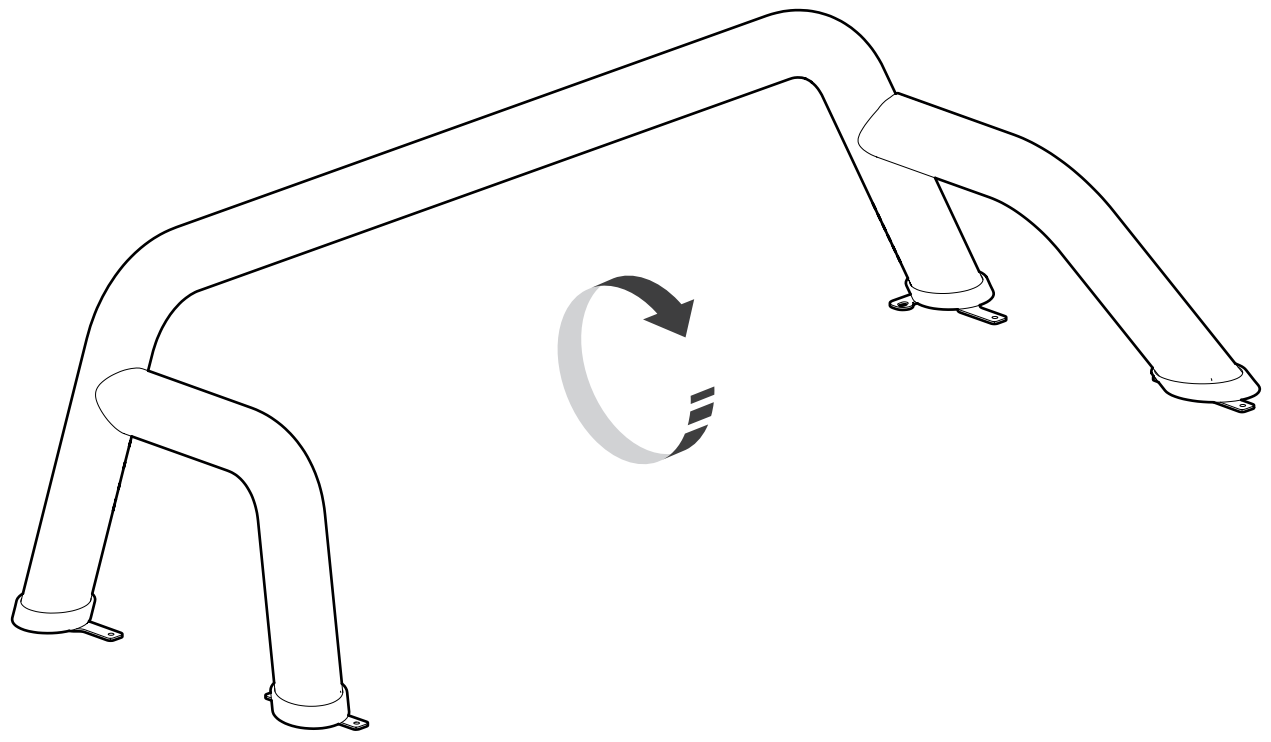
1

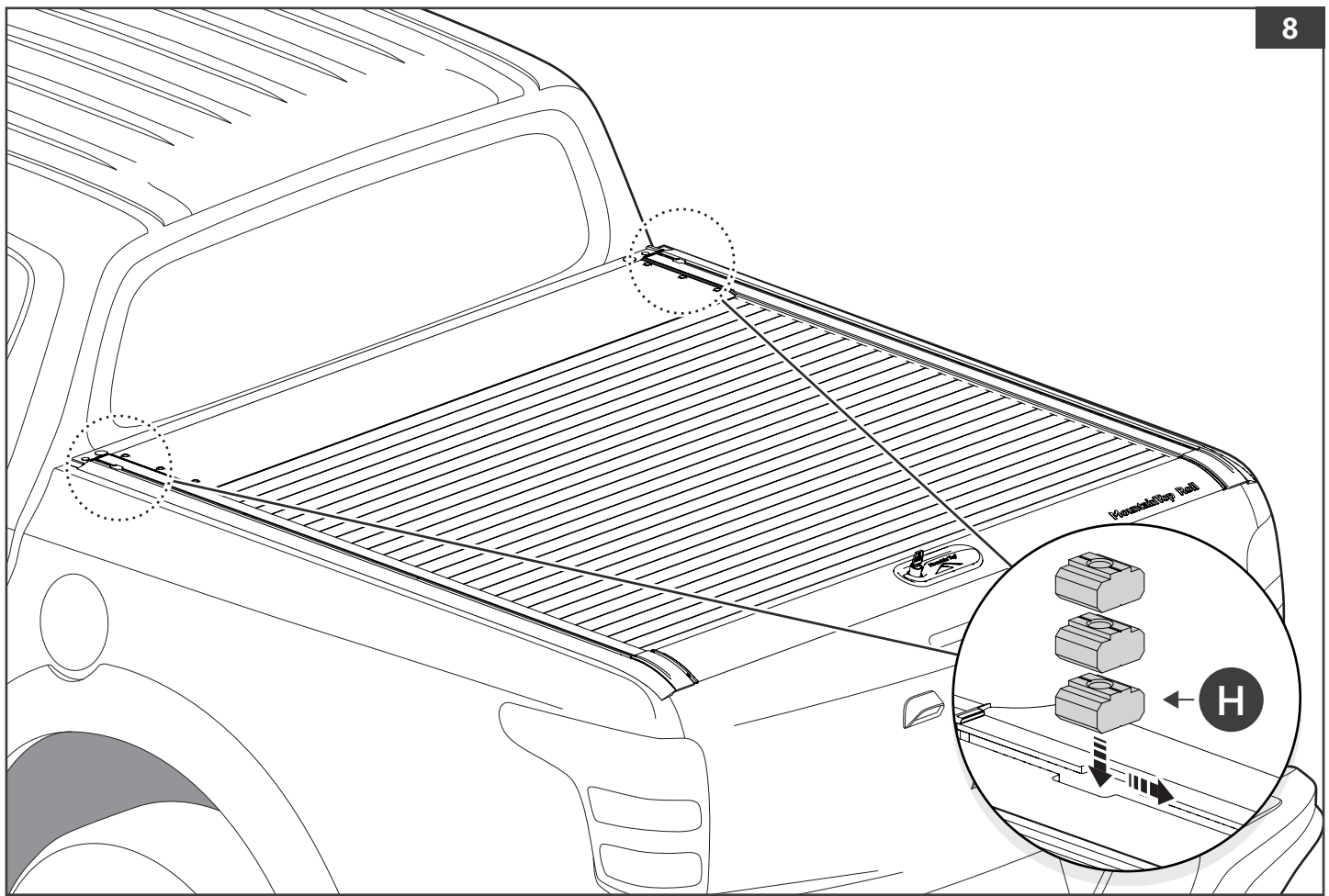
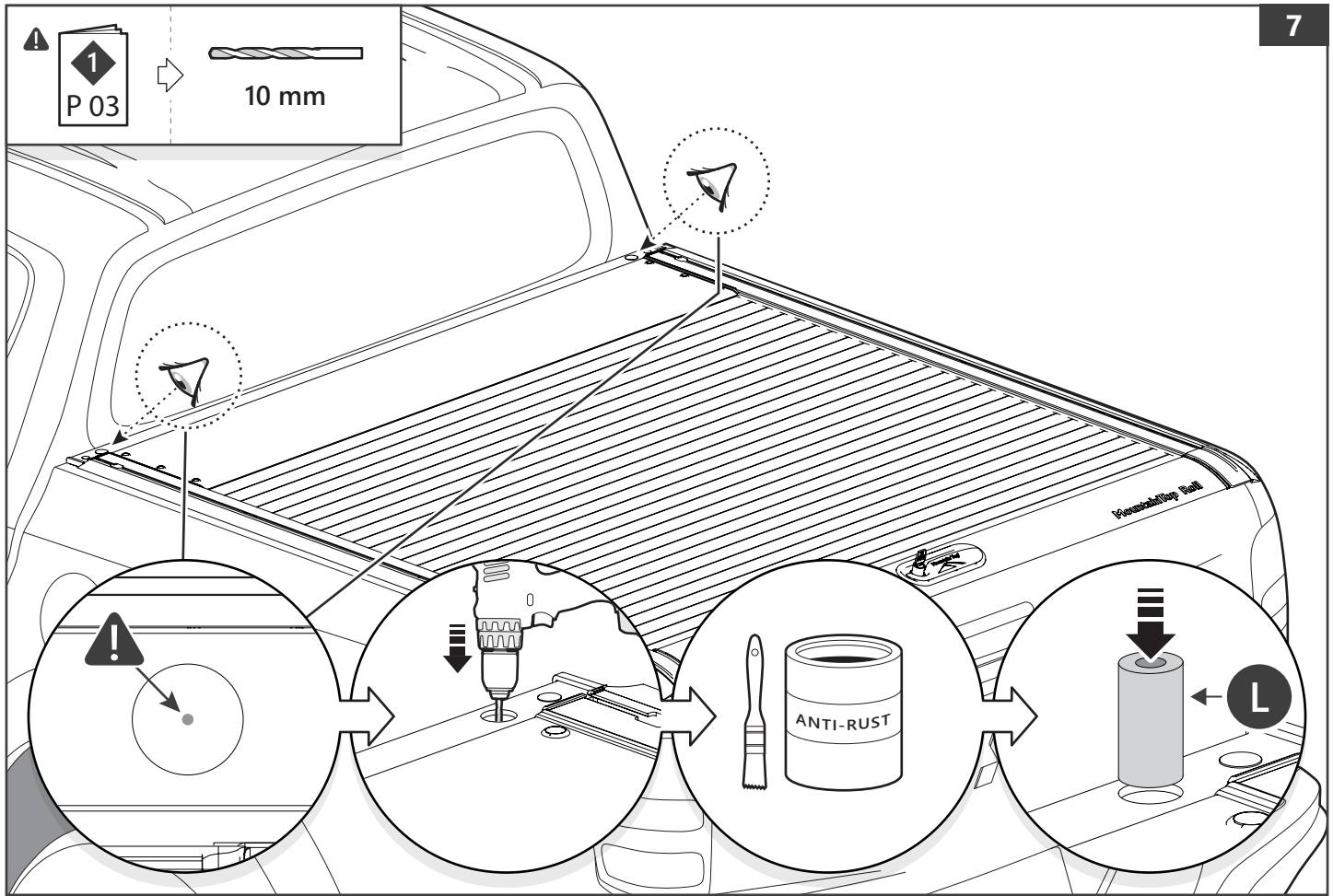


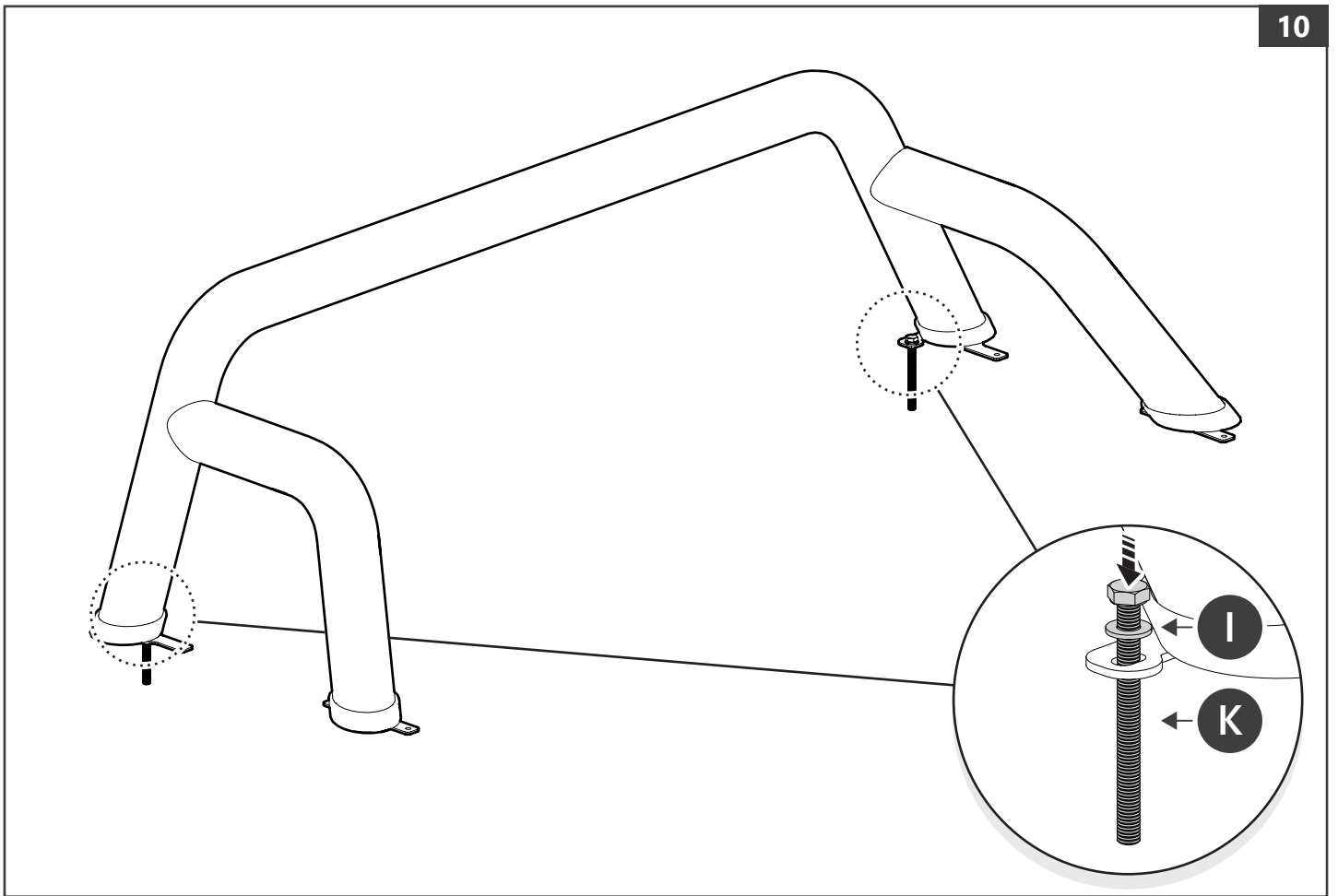
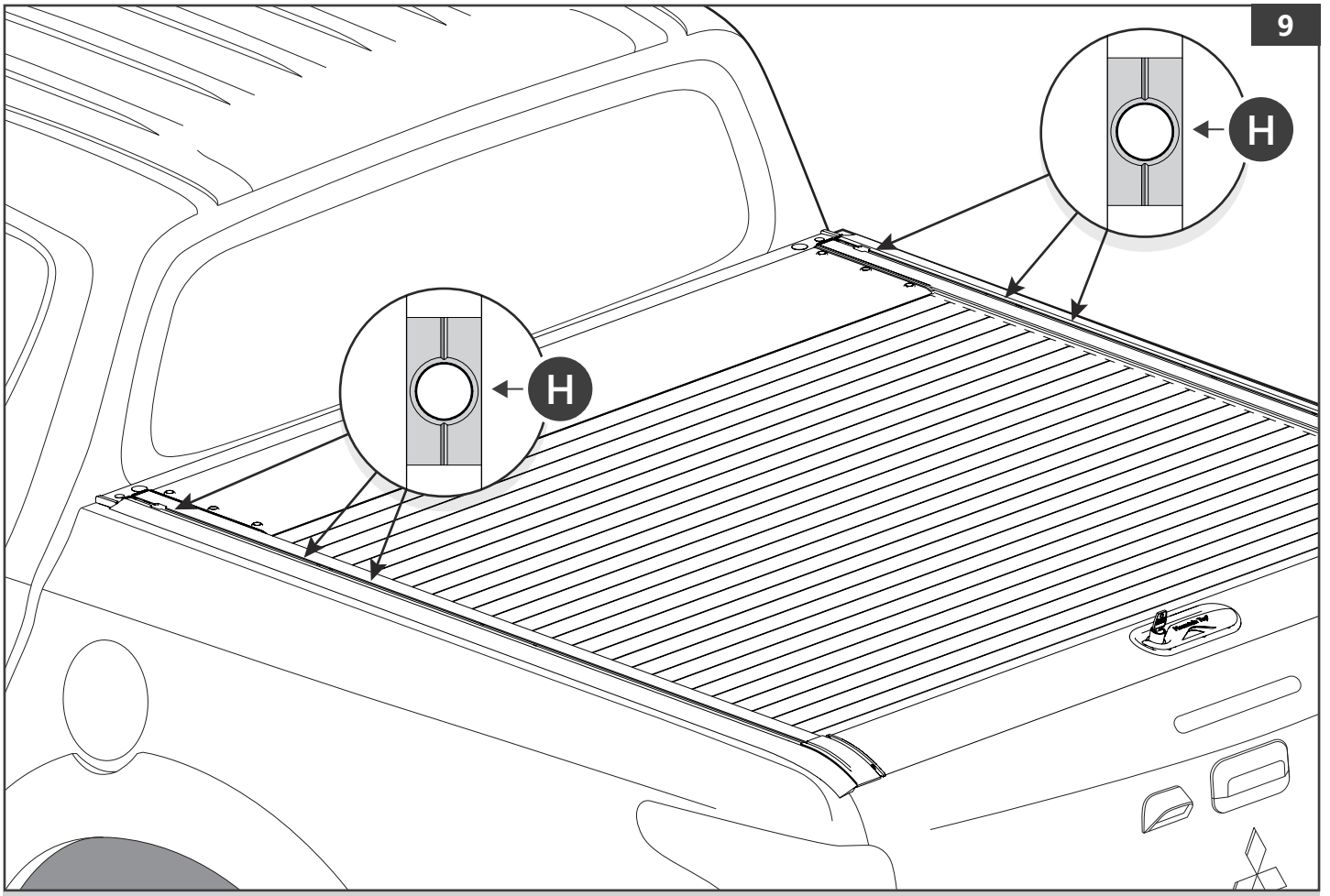
2

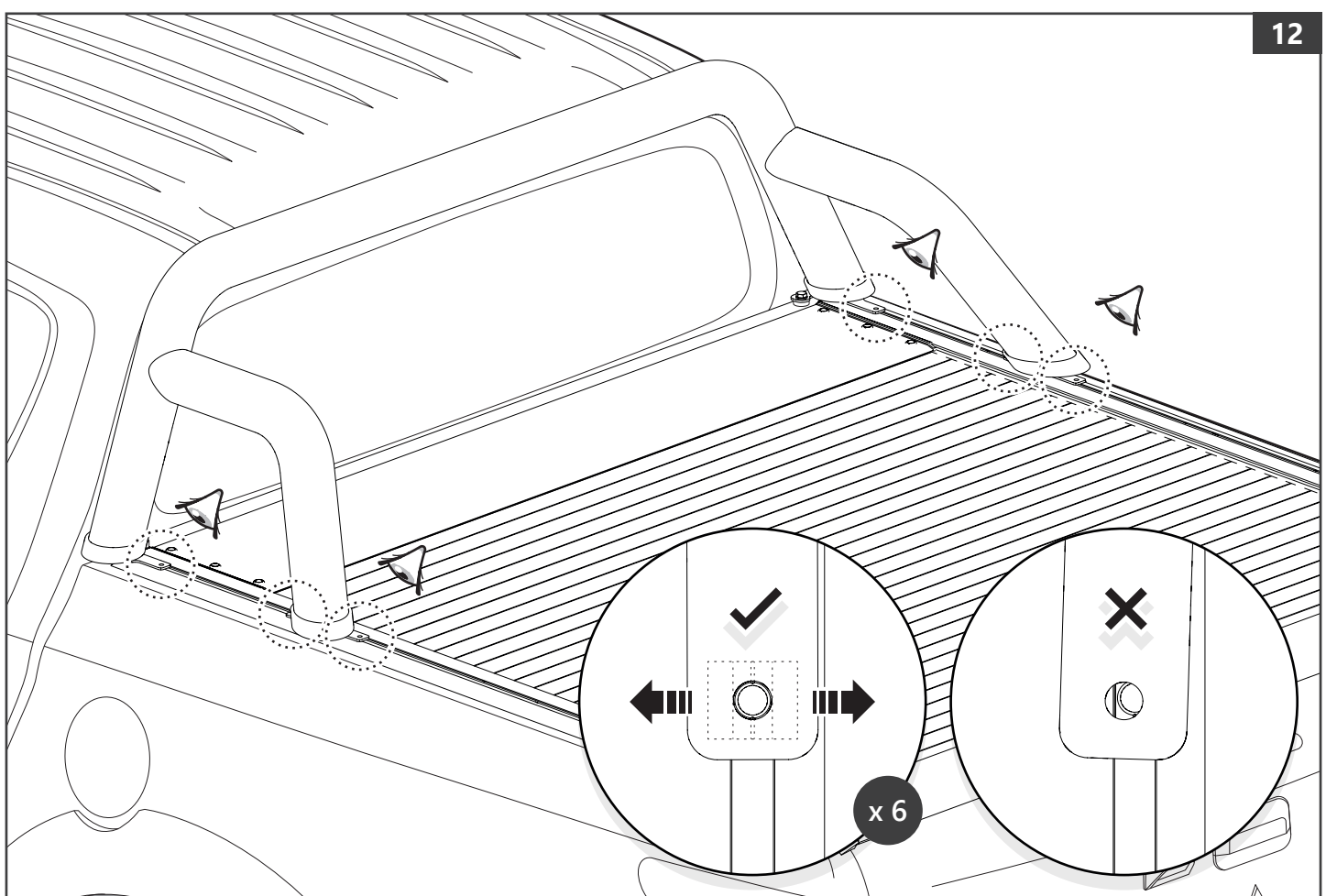
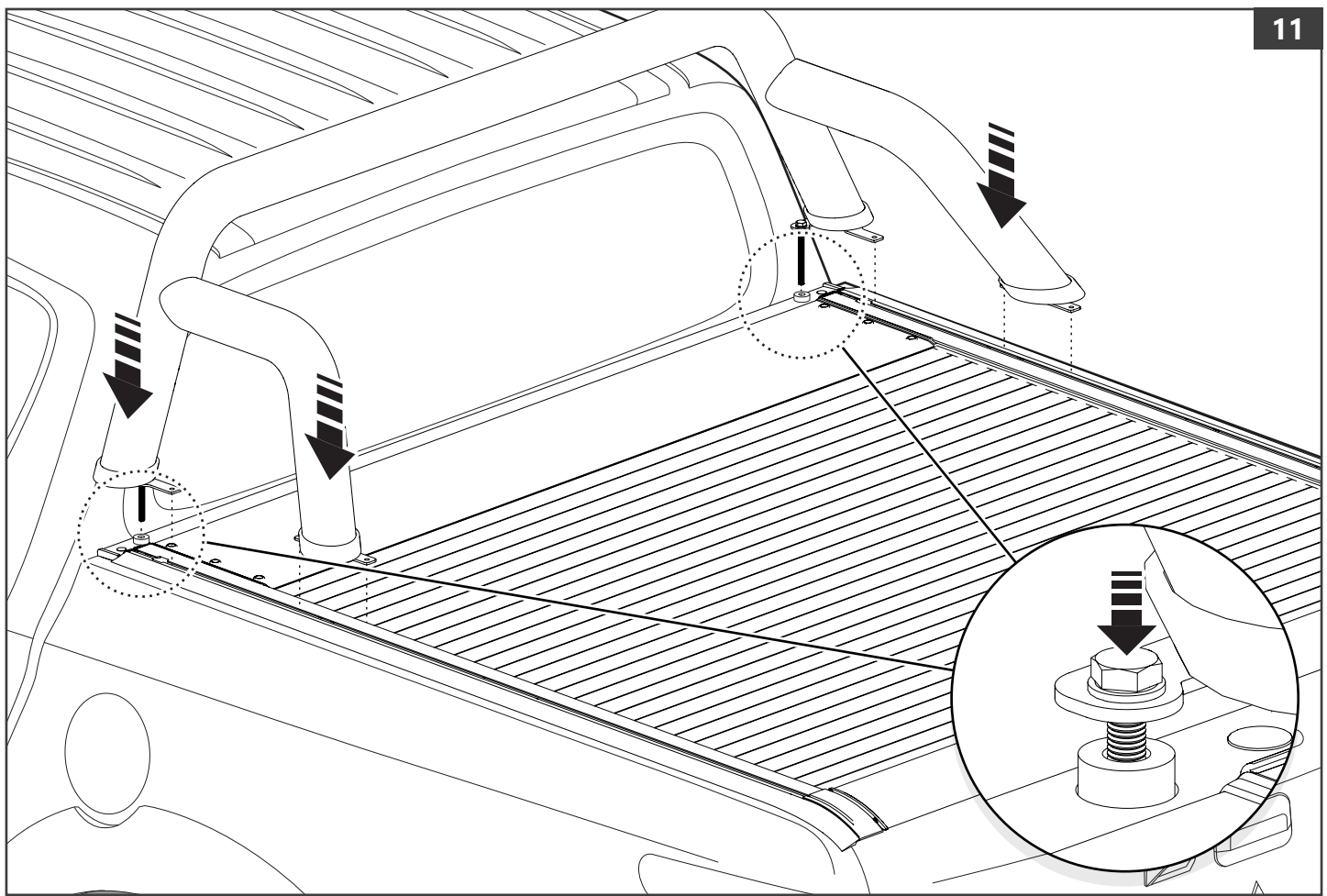


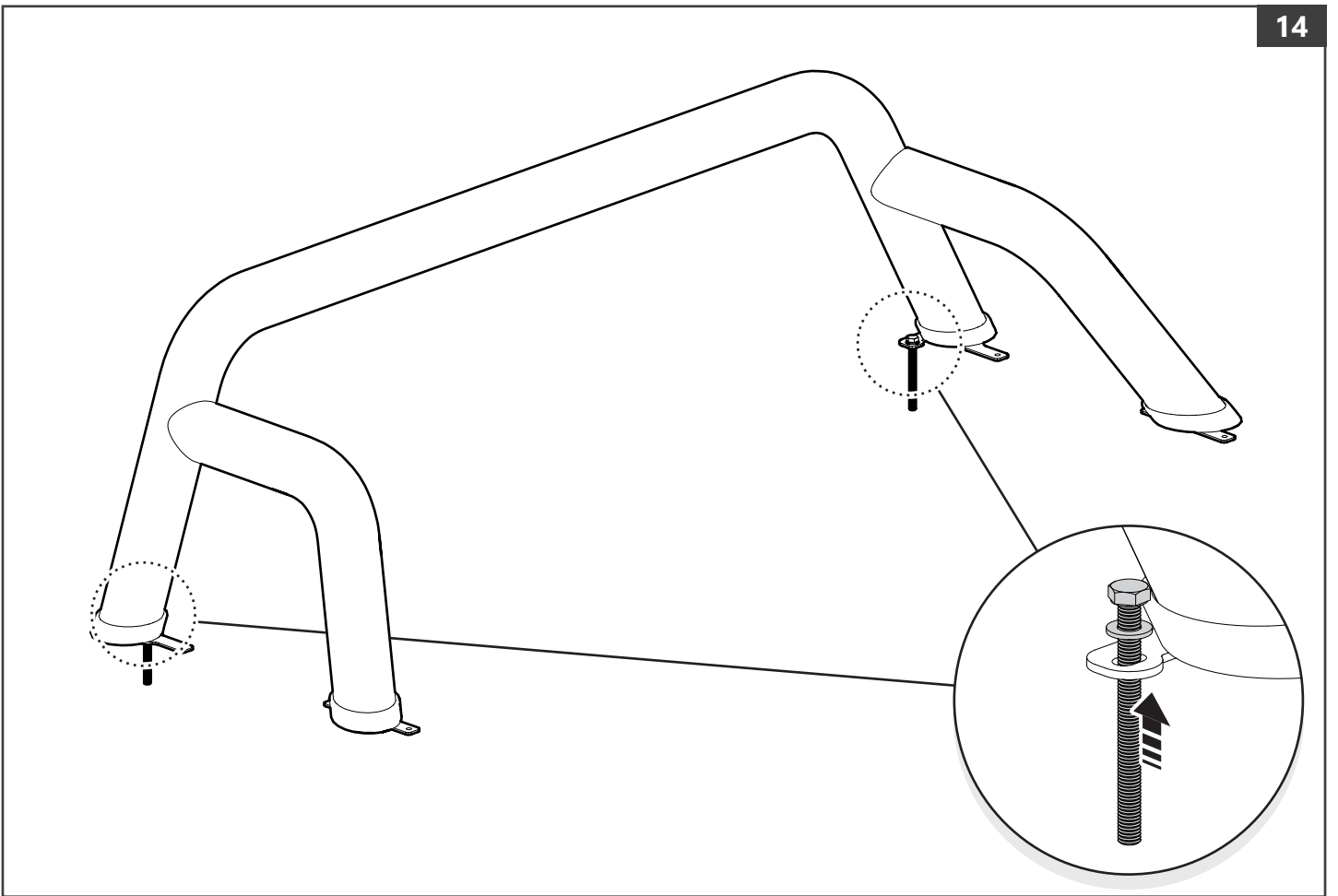
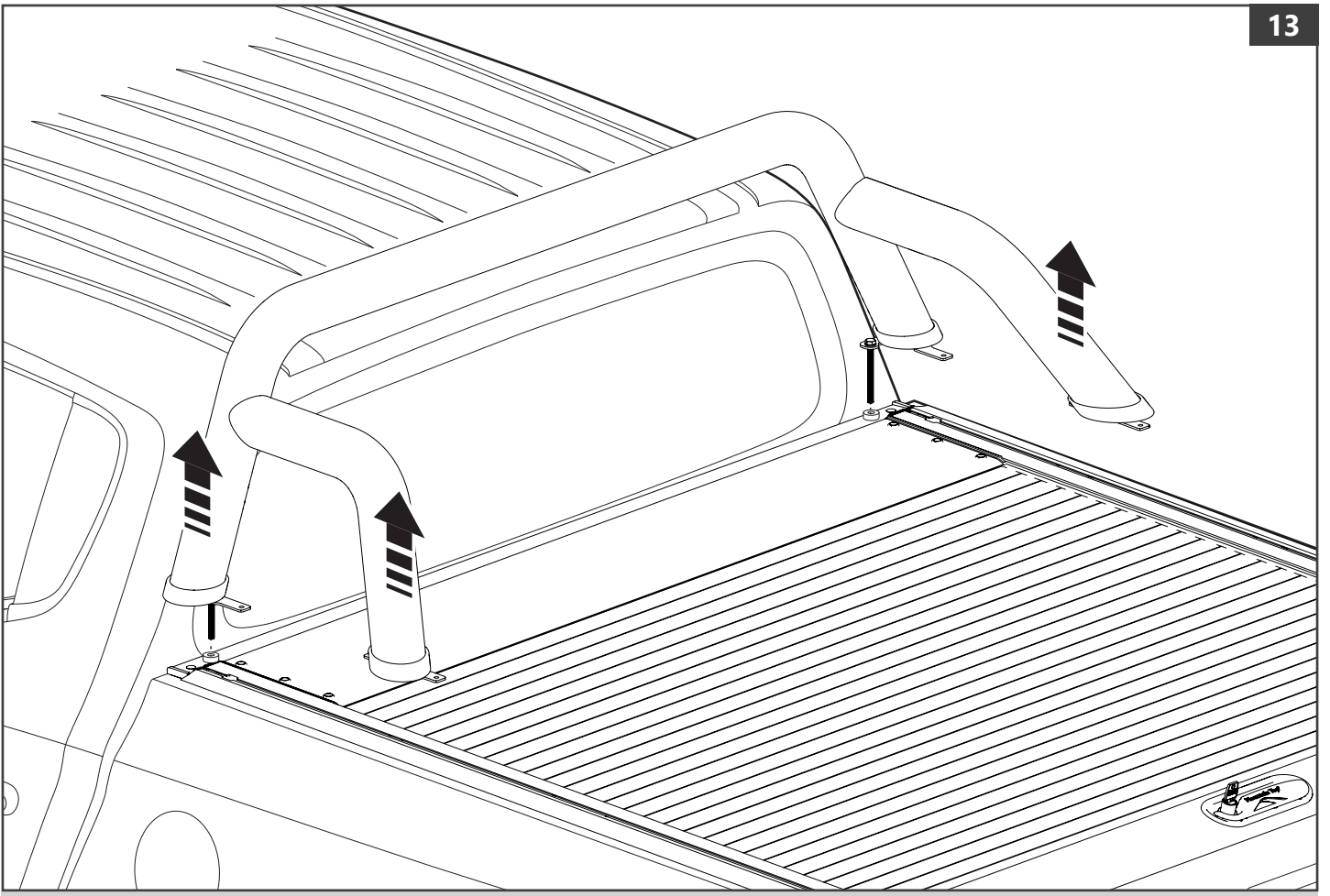


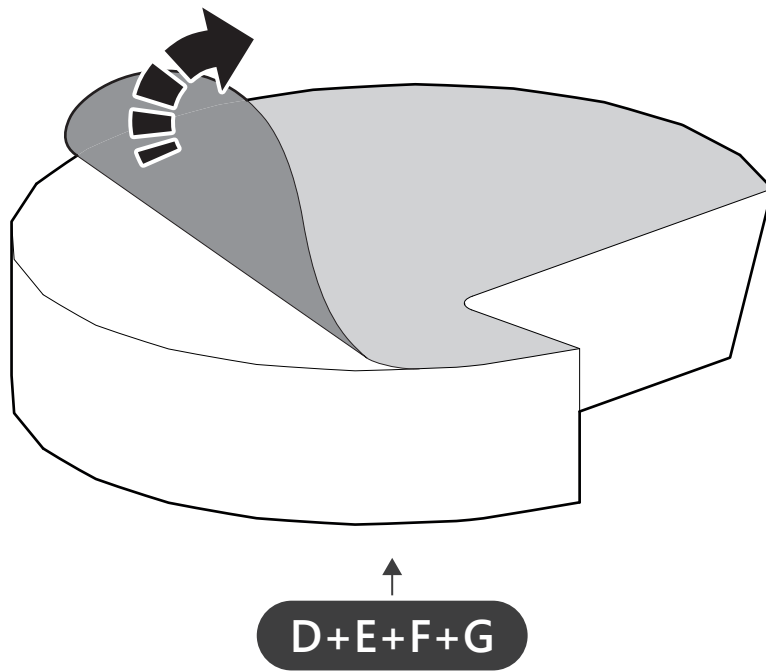
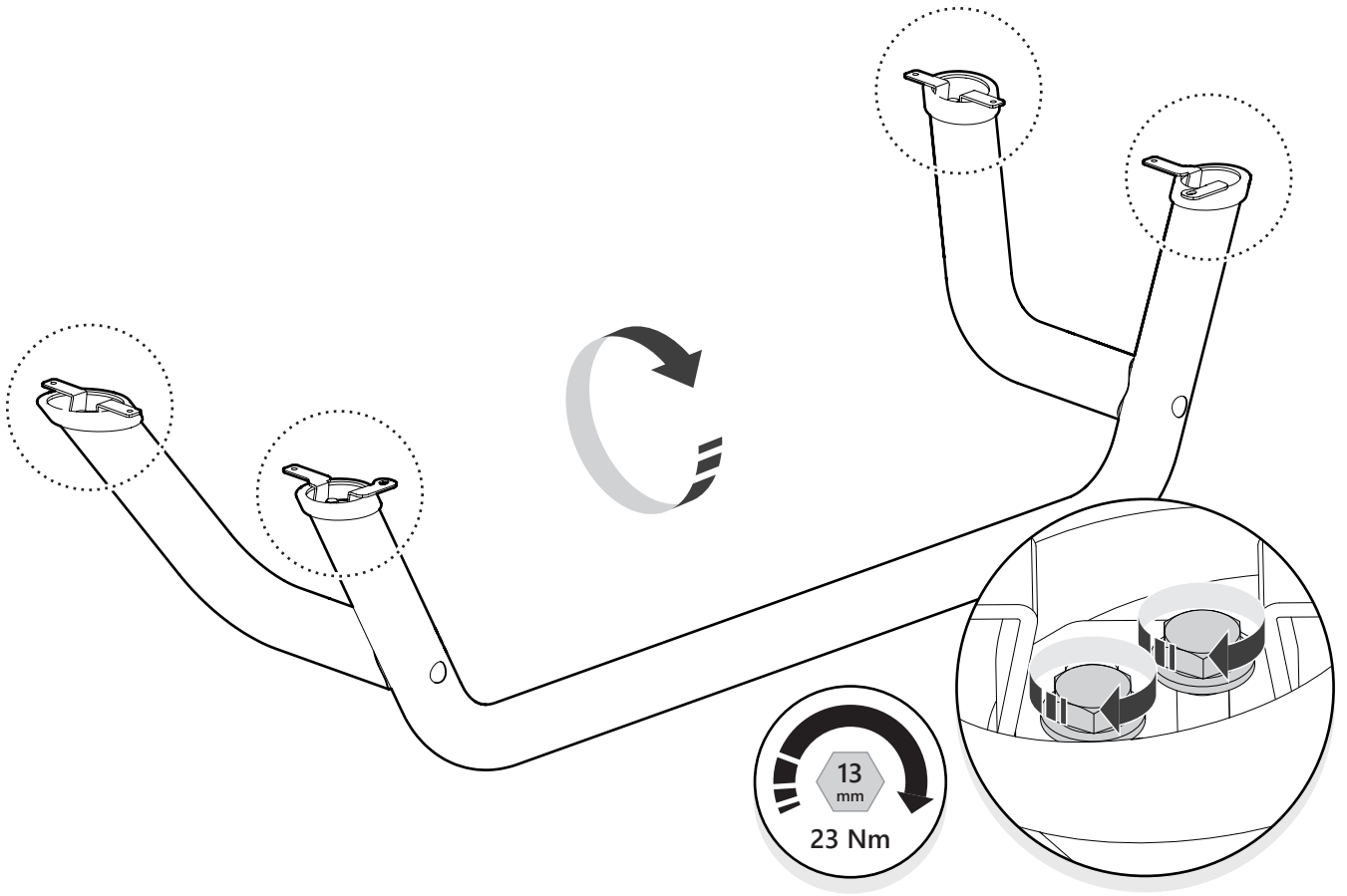


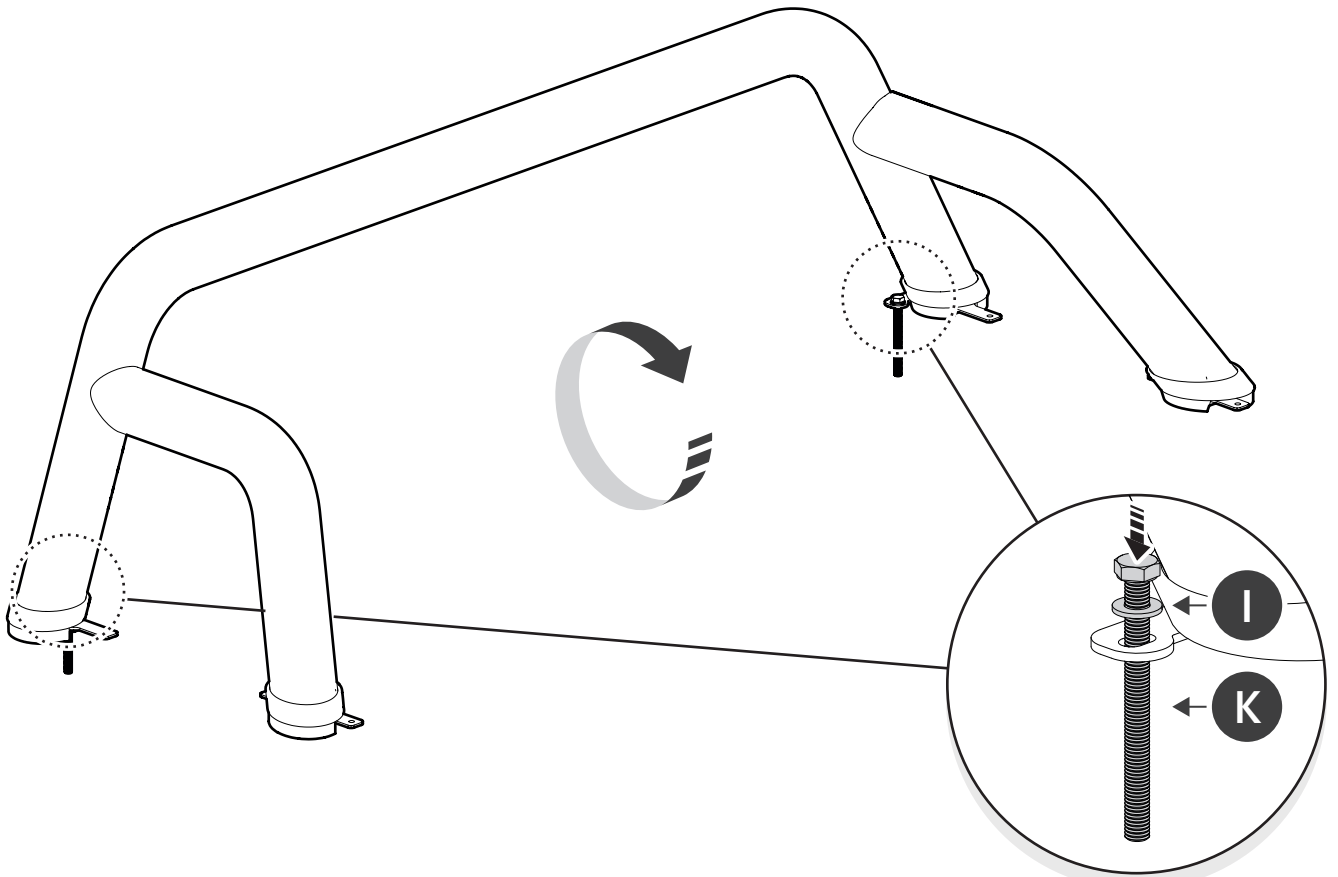
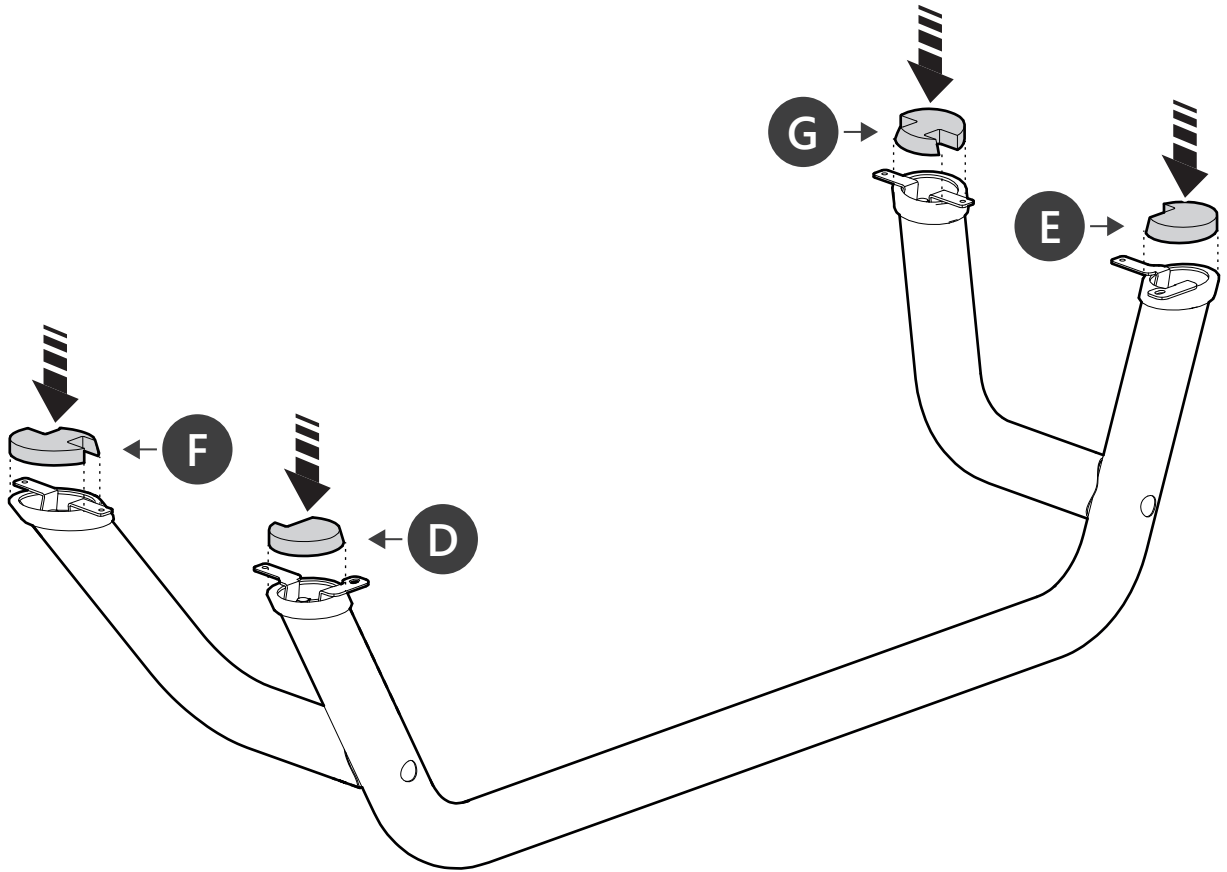


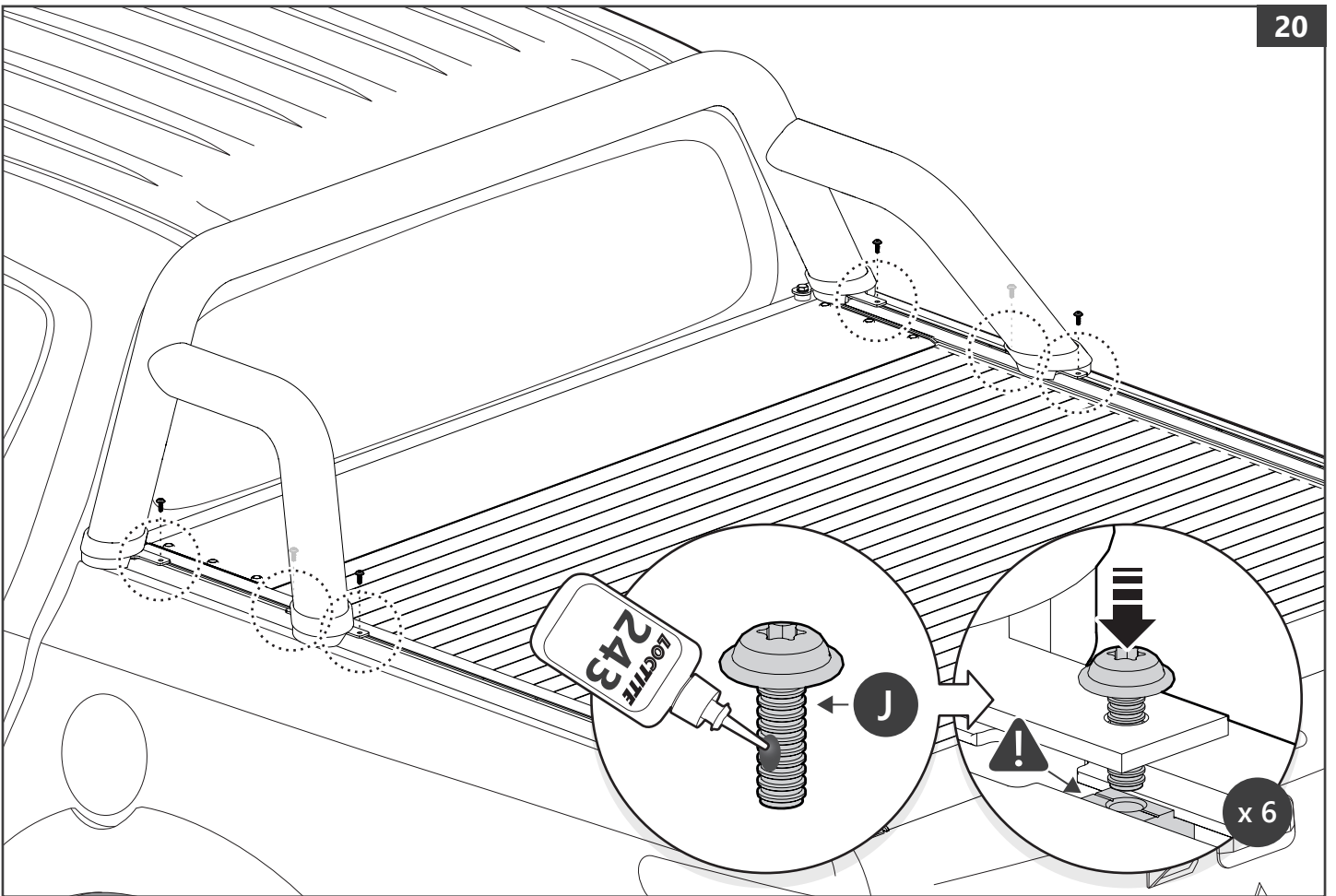
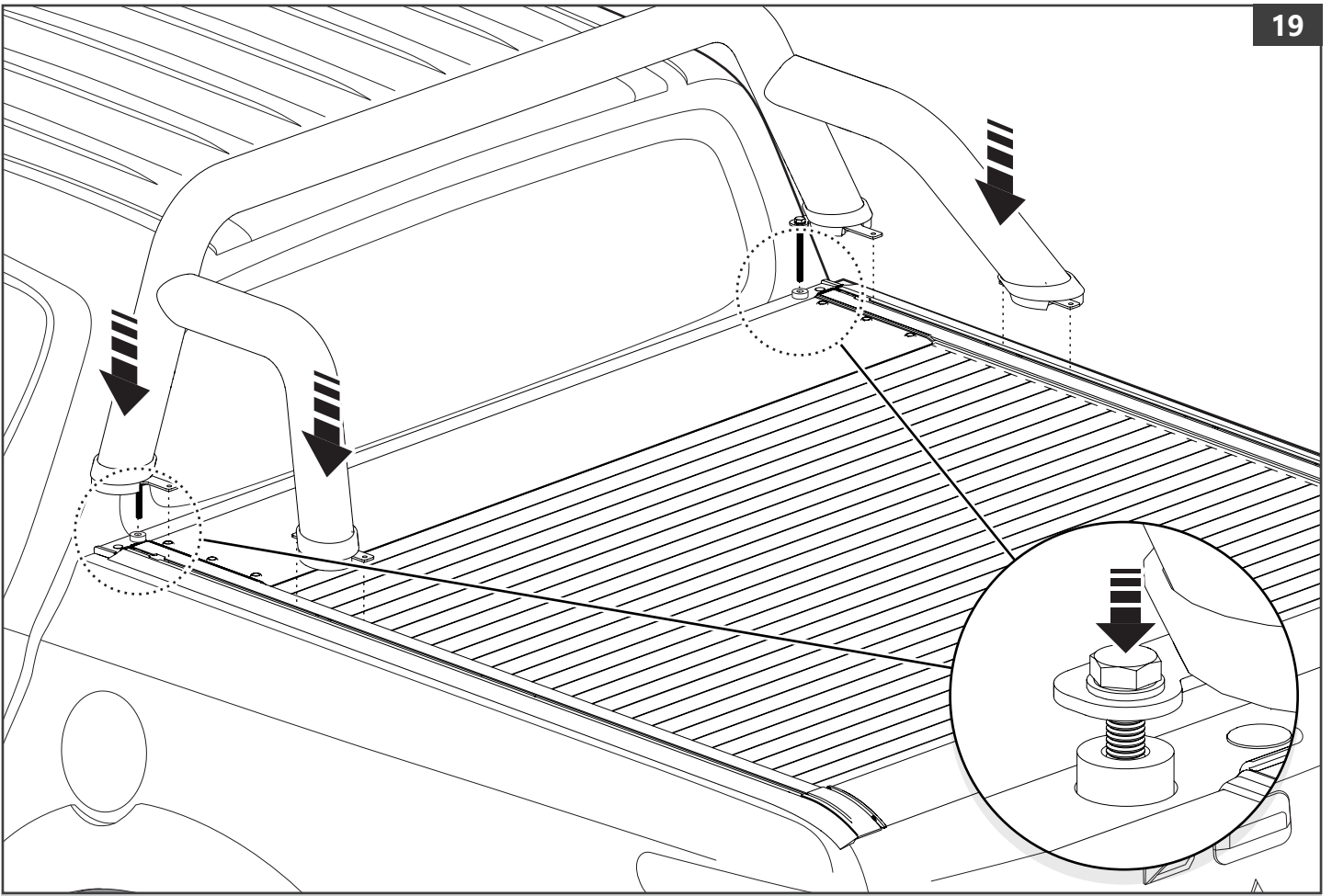


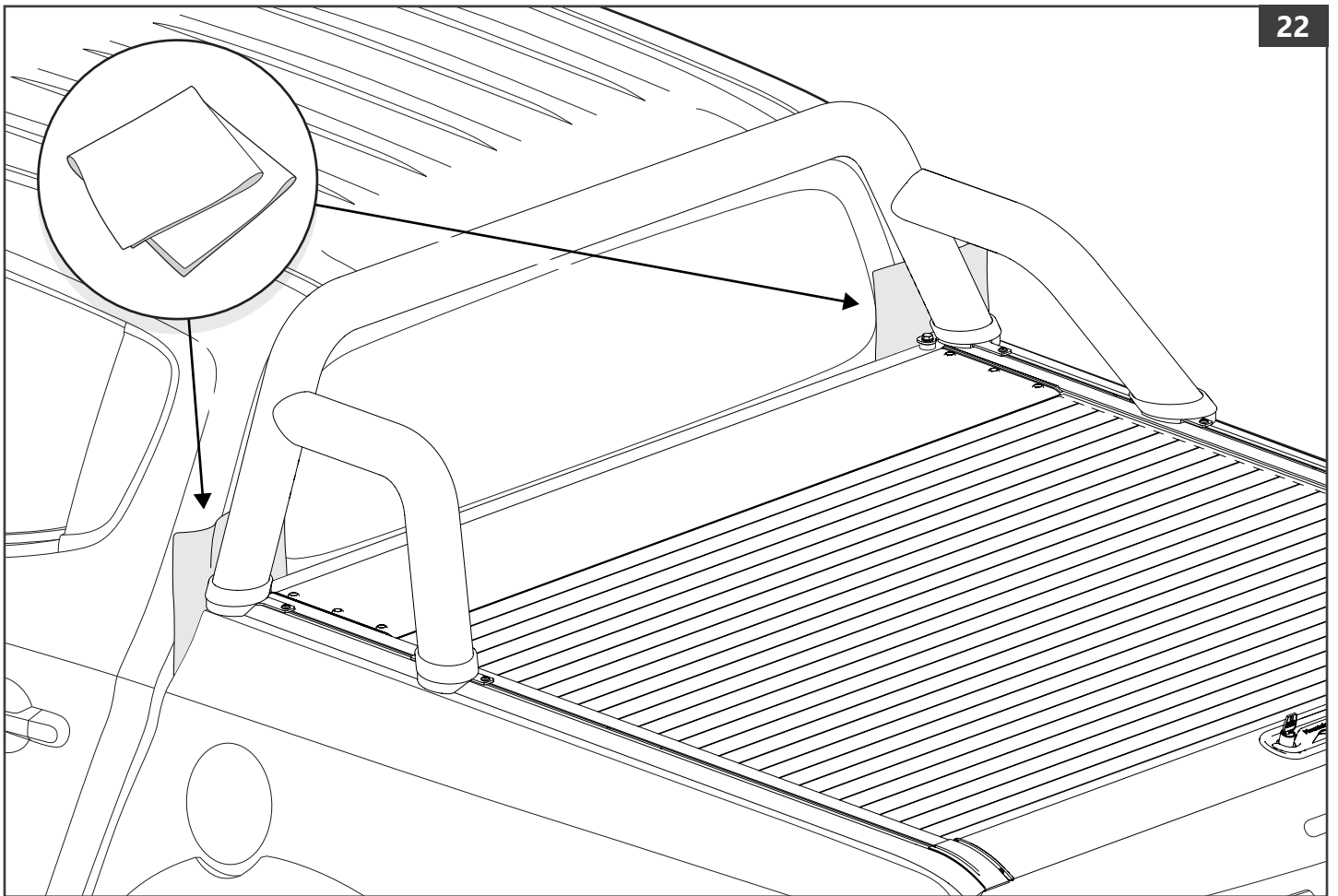
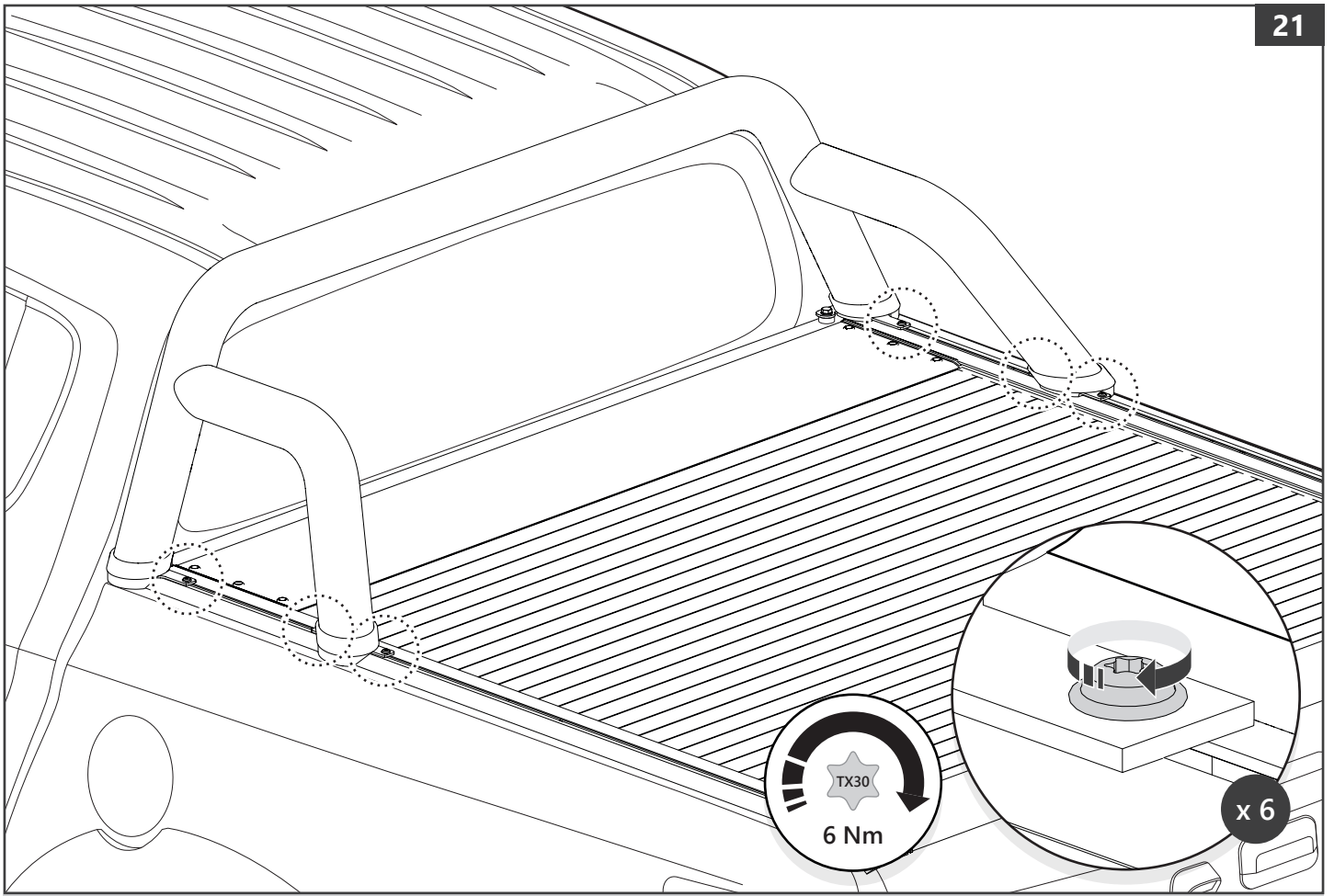


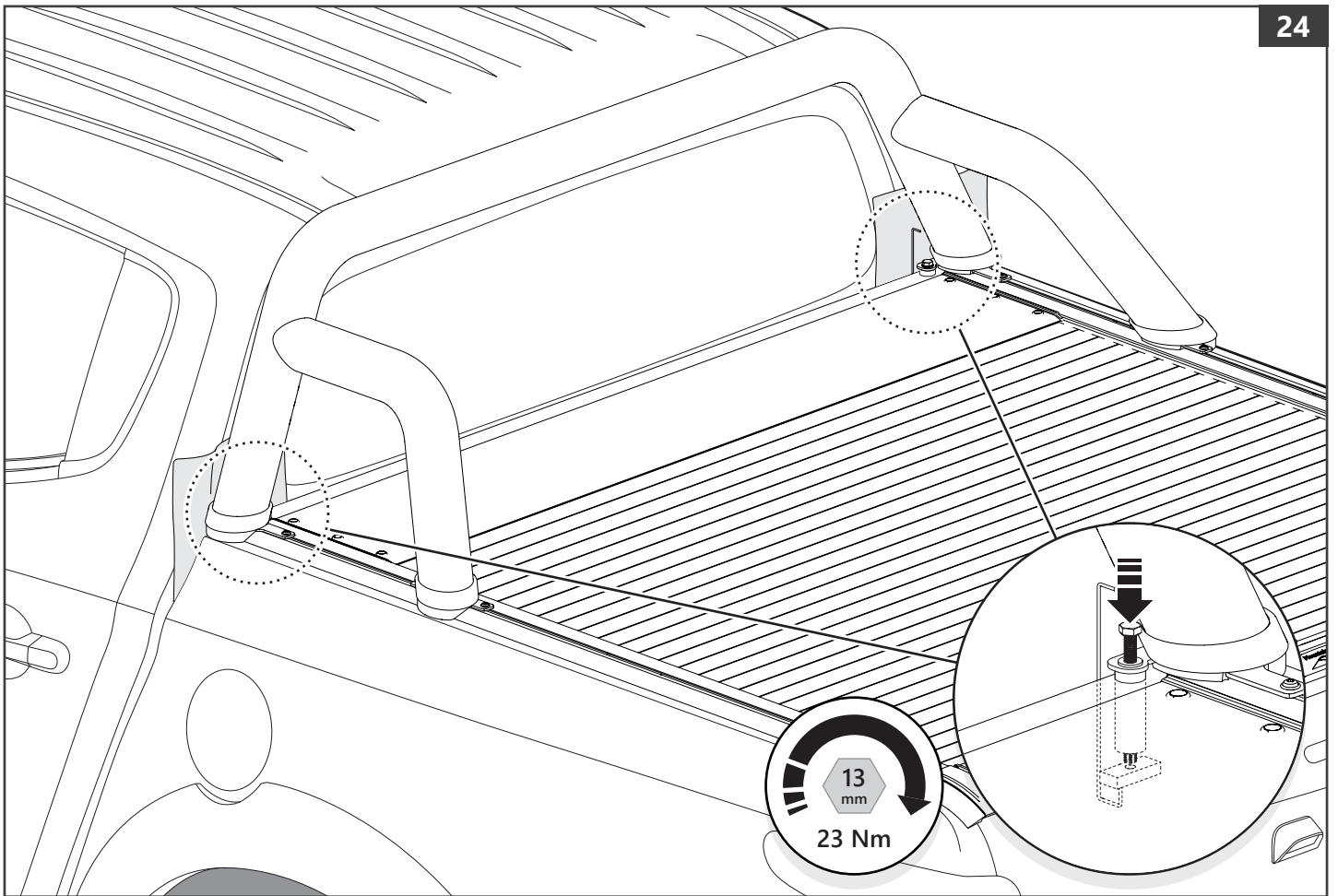
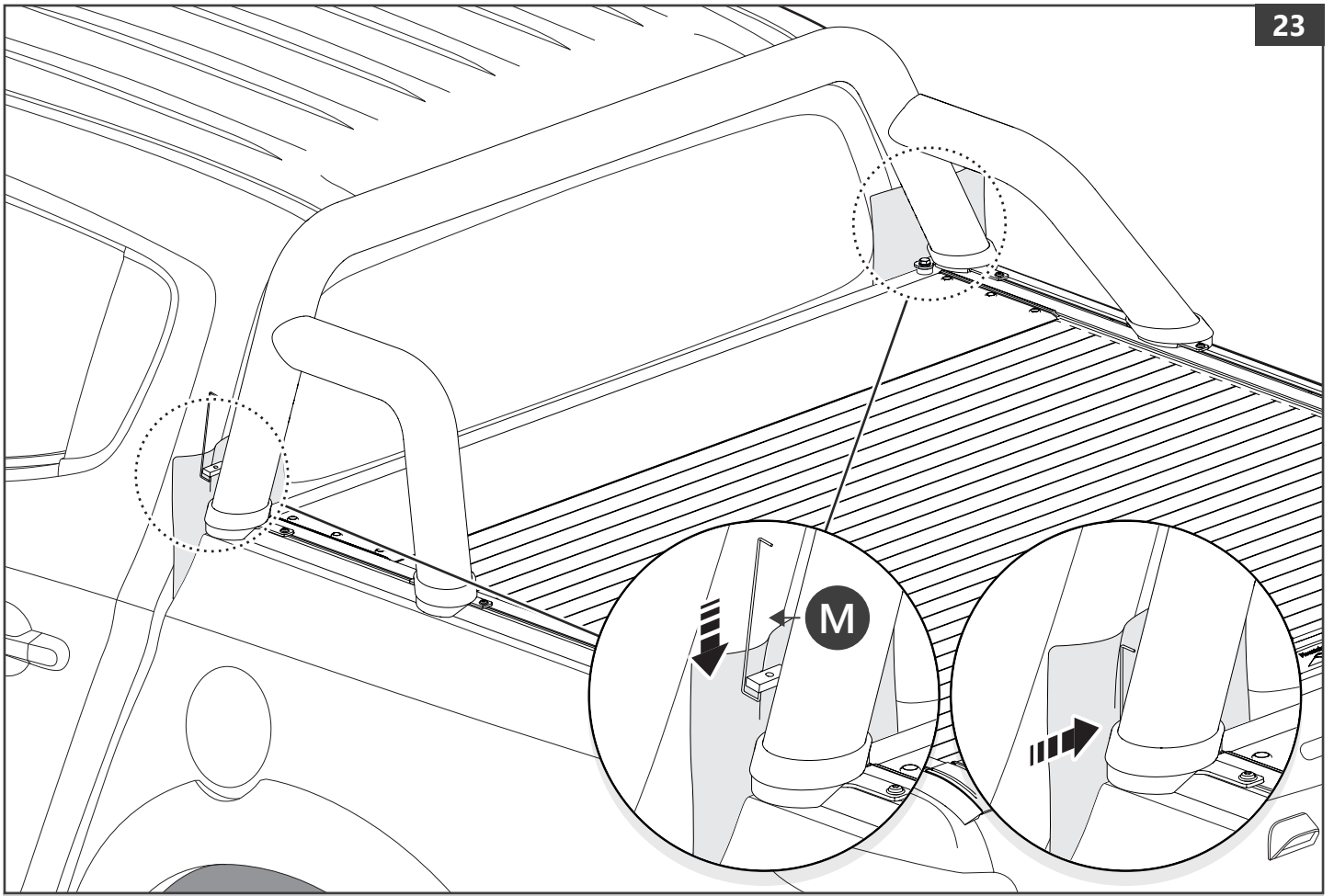














Customer Service +45 4810 2950 (08:00 - 16:00 CET)
Fax +45 4810 2960
Support info@mountaintop.dk
Website www.mountaintop.dk
Address Pedersholmparken 10, 3600 Frederikssund, Denmark

PART NUMBER(S)	MODEL / YEAR	CAB TYPE(S)	INSTALLATION TIME	WEIGHT
SB 0030	Mitsubishi / 2015 →	Double	1 hour(s)	1,1 kg
SB 0031	Mitsubishi / 2015 →	Double	1 hour(s)	1,1 kg

GB Installation manual	S Monteringsanvisning	D Einbauanleitung
SF Asennusohje	E Instrucciones de montaje	CZ Návod k instalaci
F Notice de montage	H Szerelési utasítás	I Istruzioni de montaggio
PL Instrukcja montażu	P Instruções de instalação	GR Οδηγίες Εγκατάστασης
NL Installatie-instructies	RUS Инструкция по установке	DK Monteringsvejledning
TR Montaj Talimatı	N Monteringsveiledning	RO Instructiuni de instalare